

HISTORIC SCOTLAND

Mary Queen of Scots
Papercraft Model



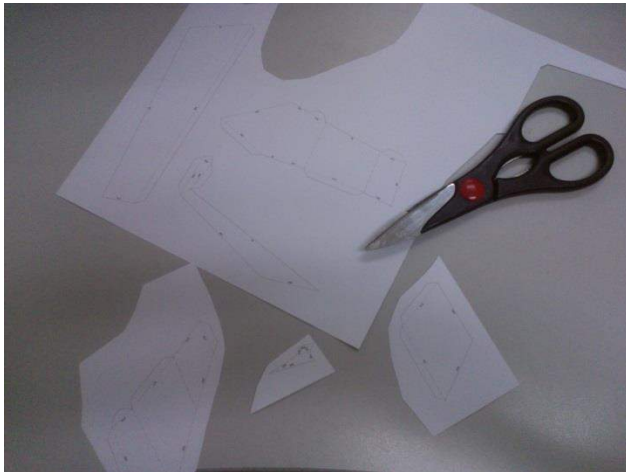
Copyright: Historic Scotland, 2015

Instructions

You need: Scissors, Ruler, Glue

Optional: paperknives, tape, spraypaint

1. Print the following pages on thick A3 paper (at least 160g/m2, which is twice as thick as normal paper).
2. Cut out the pieces – start with the biggest ones.



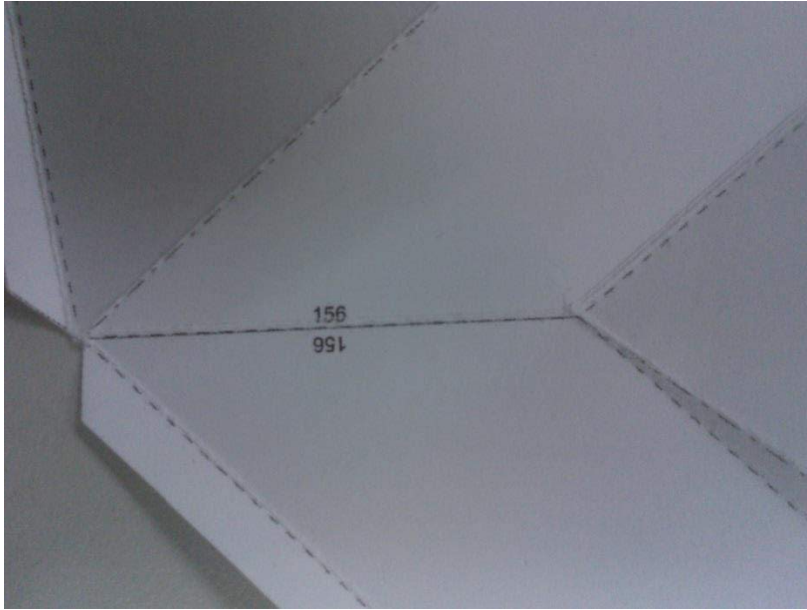
3. Score the lines using a ruler and scissors or a knife, then fold the pieces:

- - - - - = valley fold

— · — · — · — · — = mountain fold



4. Start gluing corresponding pieces together into larger parts, then glue those together until the statue is complete.



5. If you want, paint or dress the statue.

6. Post your pictures on our Facebook page, send them to @welovehistory on Twitter or to hs.web@scotland.gsi.gov.uk

Helpful Hints:

- Sort the pieces by numbers into heaps – all 100s on one, all 200s, etc
- If you can't find a piece, use the search function in your pdf viewer
- Start with the biggest pieces, that way you won't be frustrated with fiddling with tiny parts of the statue
- Ask your parents/children/friends/colleagues to help you with cutting out the pieces – that will make it a lot quicker
- You can work on several parts of the statue at the same time
- Print on coloured paper – you could even make a rainbow Mary

